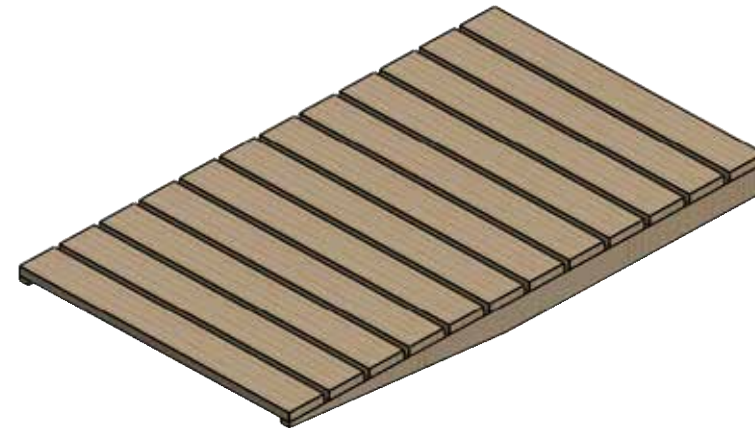
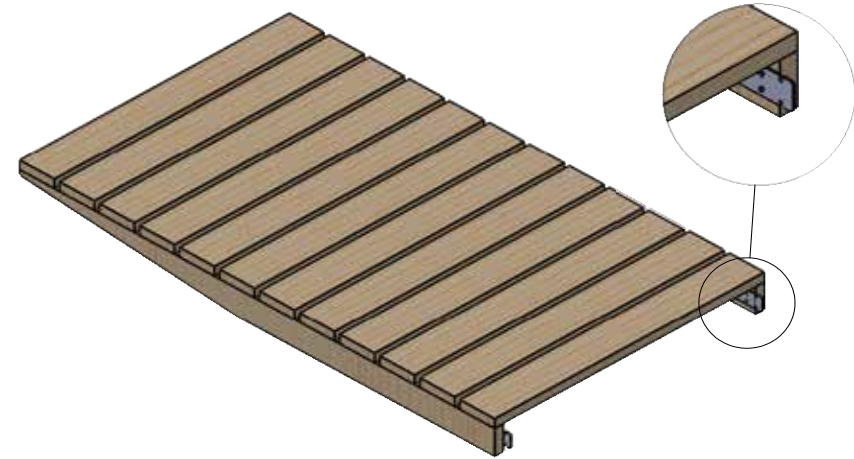
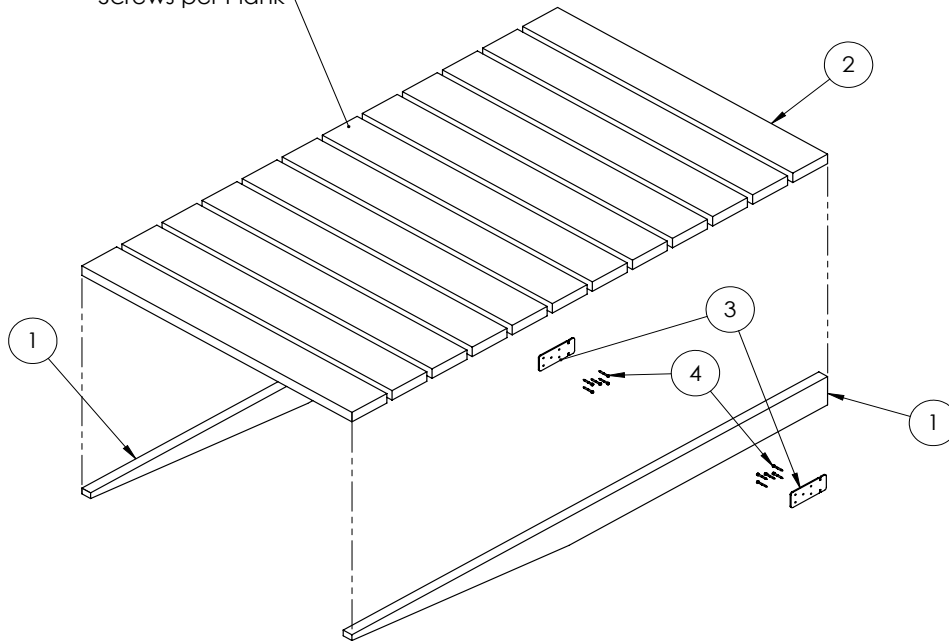




Department of  
Conservation  
*Te Papa Atawhai*

4x SS304 CSK SQ 10x75  
Screws per Plank



Item No.	PartNo	Description	Revision	Qty.
1	671-401-R02	Wood Ramp - Support	2	2
2	671-402-R02	Wood Ramp - Plank	2	12
3	671-403-R02	Wood Ramp - Hinge	2	2
4	671-965	M6 COAch Screw SS - 50mm	-	10
5	671-405	Screw SS304 CSK SQ 10x75	1	48



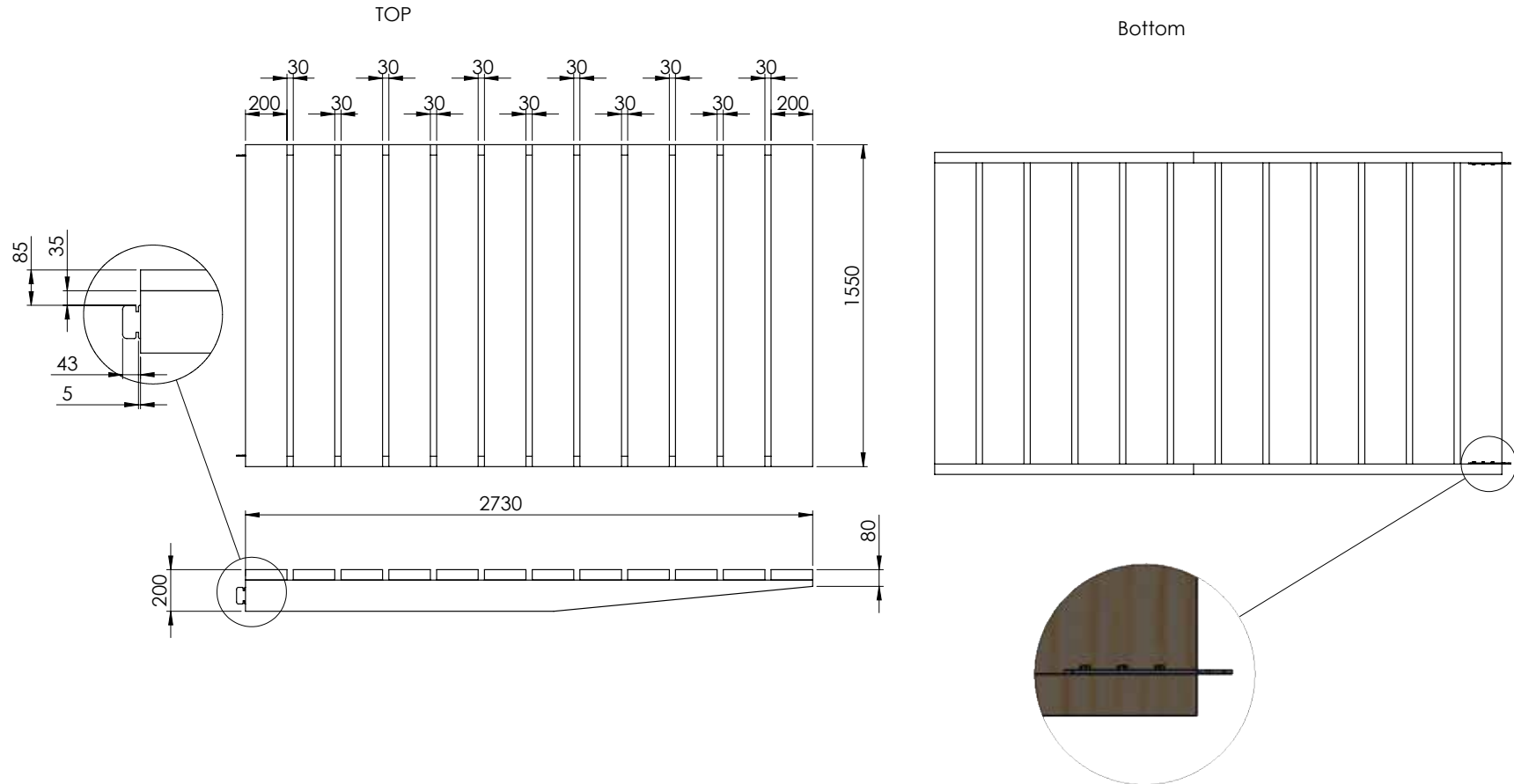
+64 7 839 5018  
88 Duke Street  
Frankton  
Hamilton 3204  
www.mwdesign.co.nz

## Kauri Dieback Station Ramp Build Spec

[Rev. 1 - 15.11.2019]



Department of  
Conservation  
*Te Papa Atawhai*



+64 7 839 5018  
88 Duke Street  
Frankton  
Hamilton 3204  
www.mwdesign.co.nz

## Kauri Dieback Station Ramp Build Spec

[Rev. 1 - 15.11.2019]